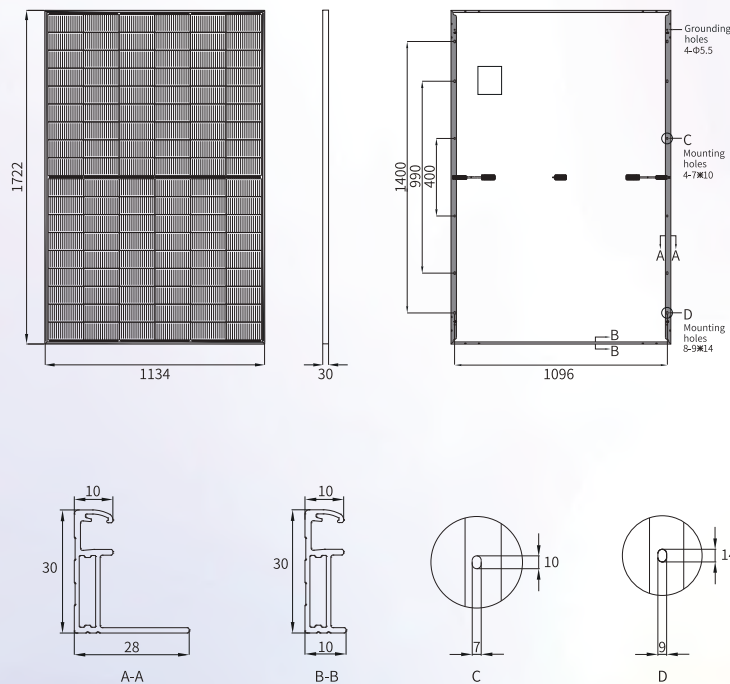


# Monofacial Single Glass TOPCon Module

## JNMN108-435-440

### ENGINEERING DRAWING



### MECHANICAL PARAMETERS

Cell (mm)	182.2*91.875 TOPCon
Dimensions (L*W*H) (mm)	1722*1134*30
Weight (kg)	21.0
Cable Cross Section Size (mm <sup>2</sup> )	4
No. of Cells & Connections	108(6*18)
No. of Diodes	3
Frame	Anodized Aluminium Alloy
Glass Thickness (mm)	3.2
Manufacturer:	JINNENG CLEANENERGY TECHNOLOGY LTD.: PV-JN01,
Type of Connector	Stäubli-ElectricalConnectors-AG: PV-KST4-EVO2/xy-UR, PV-KBT4-EVO2/xy-UR

### QUALIFICATION

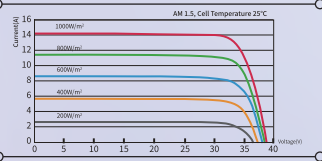
Temperature Cycling Range (°C)	-40~+85
Max. Series Fuse Rating (A)	25
Max.Wind Load/Max.Snow Load (Pa)	2400/5400
Fire Rating	Class C
Junction Box & Connector Protection Grade	IP68
Nominal Module Operating Temperature (NMOT)	43±2°C
Temperature Coefficient Voltage (Voc)	-0.25 %/°C
Temperature Coefficient Current (Isc)	0.045 %/°C
Temperature Coefficient Power (Pm)	-0.29 %/°C

### ELECTRICAL PARAMETERS

Module Type (1500V DC)	JNMN108-435	JNMN108-440	
STC AM1.5 1000W/m <sup>2</sup> Cell Temperature 25°C	Max. Power at STC (Pmpp/W)	435	440
	Output Tolerance (W)	0-+5	0-+5
	Max. Power Voltage (Vmp/V)	31.94	32.12
	Max. Power Current (Imp/A)	13.62	13.70
	Open Circuit Voltage (Voc/V)	38.84	39.02
	Short Circuit Current (Isc/A)	14.25	14.33
NMOT AM1.5 800W/m <sup>2</sup> Ambient Temperature 20°C Wind Speed 1m/s	Module Efficiency (%)	22.28	22.53
	Max. Power (Pmpp/W)	331.9	335.7
	Max. Power Voltage (Vmp/V)	30.46	30.63
	Max. Power Current (Imp/A)	10.90	10.96
	Open Circuit Voltage (Voc/V)	36.91	37.08
	Short Circuit Current (Isc/A)	11.48	11.55

\*Measurement tolerance: Pmax: ±3%, Voc: ±3%, Isc: ±5%.

### I-V CURVE (440W)



### PACKING CONFIGURATION

Pieces Per Pallet	36
Pallets Per Container	26
Pieces Per Container	936

### DEFAULT

### OPTIONAL

Cable Length	<input type="checkbox"/> 350mm/280mm	<input type="checkbox"/> Customized
Frame Color	<input type="checkbox"/> Silver	<input type="checkbox"/> Black



TUV: IEC/EN 61215, IEC/EN 61730  
GB/T 19001-2016/ ISO 9001:2015  
GB/T 24001-2016/ ISO 14001:2015  
GB/T 45001-2020/ ISO 45001:2018  
CNAS-CL01: ISO/IEC 17025:2017

### 15-year Product materials and workmanship quality warranty

Output power	
The 1st year	The 15th year
≥ 99.00%	≥ 93.40%
	≥ 87.40%

CAUTION: The electrical parameters in this product datasheet do not refer to only one module. Read safety and installation instructions before using the product. The contents of this specification are for reference only and are subject to change without notice. Jinery reserves the right of final interpretation.  
JNM-20240809-14.1 T © 2024 JINNENG CLEAN ENERGY TECHNOLOGY LTD. ALL RIGHTS RESERVED. Made in China

